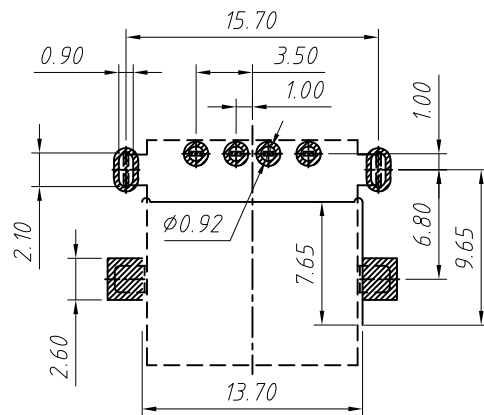
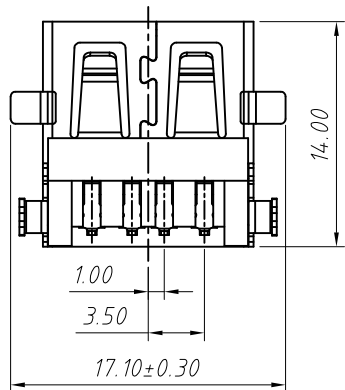
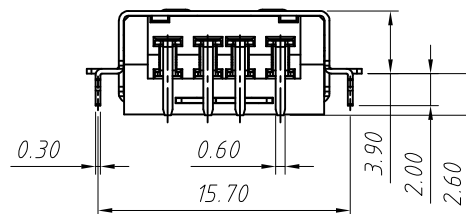
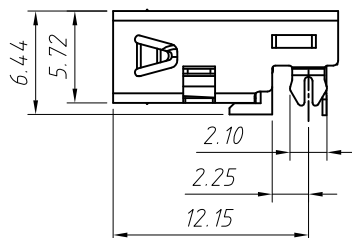
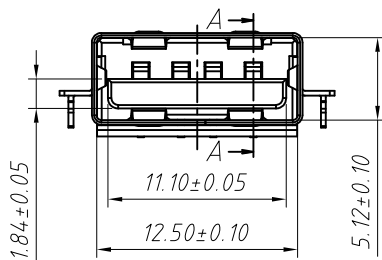


SECTION: A-A



RECOMMENDED PCB LAYOUT
TOLERANCE: ±0.05

Material
 Housing: Hing Temperature Thermoplastic,
 UL 94V-0 LCP, Black/White.
 Contact: Copper Alloy C2680.
 Shell: Copper Alloy C2680/SPCC.

Finish:
 Contact: Plated Gold In Mating Area,
 Tin On Solder Tails.
 Shell: Nickel Plating.

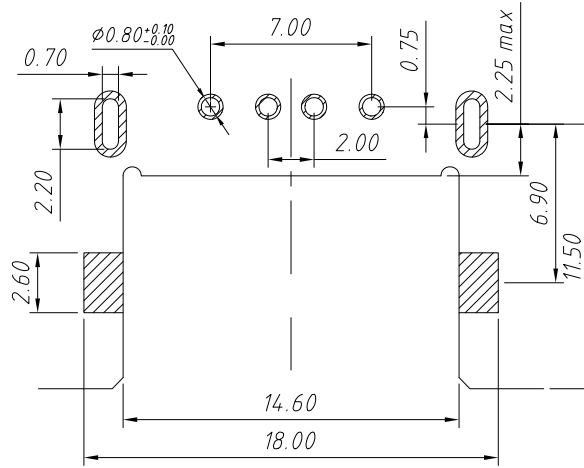
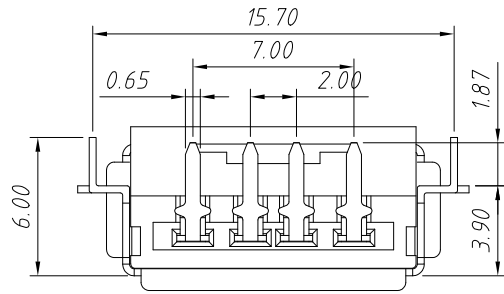
Electrical:
 Current Rating: 1.5A/Contact Terminal.
 Voltage Rating: 30V DC
 Contact Resistance: 30mΩ Max.
 Dielectric Withstanding Voltage:
 500 V AC AT Sea Level.
 Insulation Resistance: 1000MΩ Min.
 Connector Mate and Unmated Force
 Mate Force: 3.75kgf Max.
 Unmated Force: 1.02kgf Min.
 Terminal Retention: 1.2kgf Min.

Order Information

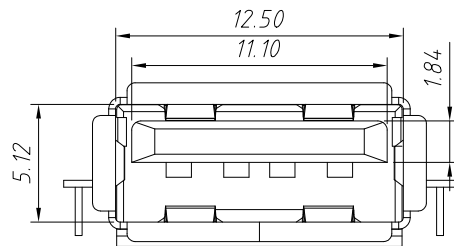
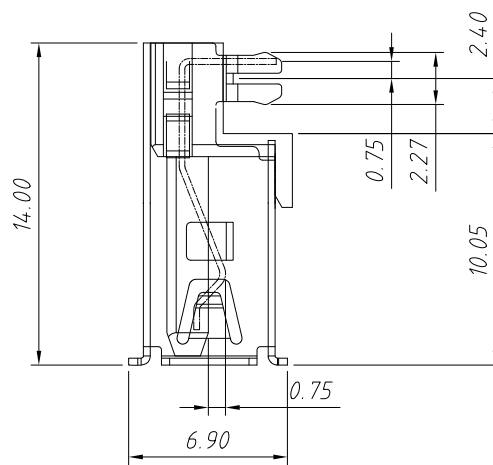
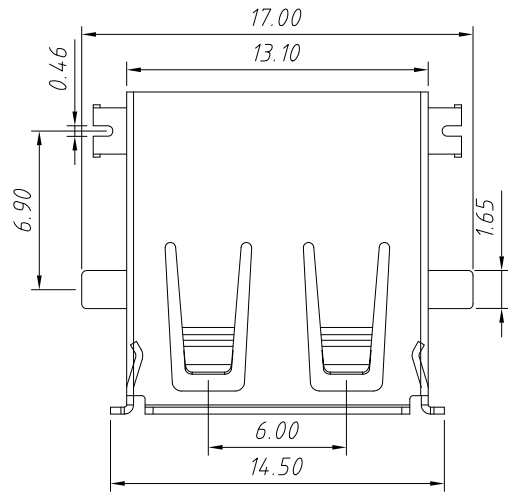
L-KLS1- 1811 - B - R

RoHS
 USB 2.0 A Female
 Color: W=WHITE
 B=BLACK
 Packing: P=Tray
 R= Tape on REEL

| GENERAL TOLERANCE | PROJECTION | | Description: |
|-------------------|------------|------------|-------------------------------------------------|
| X. ±0.50 | UNITS | mm | CONN COM TYPE A USB Female MID MOUNT Reverse |
| .X ±0.25 | SCALE | 1:1 | |
| .XX ±0.10 | Draw by: | Jenny | KLS P/N: L-KLS1-1811-X-X |
| ANGLE TOLERANCE | Check by: | | NingBo KLS ELECTRONIC CO.,L TD. |
| X. ±5° | Date | 2018-03-01 | |
| .X ±3° .XX ±2° | SHEET | 1 OF 1 | |



RECOMMENDED PCB LAYOUT
TOLERANCE: ±0.05



Material
 Housing: Thermoplastic plastics.
 Terminals: Copper Alloy. Gold plated in contact area;
 Tin plated in termination Nickel plated overall.
 Shell: Copper Alloy. Nickel plated overall.

Electrical:
 Rating Current: 1.5 Ampere.
 Rating Voltage: 30V Max.
 Contact Resistance: 30mΩ Mill.
 Insulation Resistance: 1000MΩ Min.

Mechanical Characteristics:
 Connector Mating force: 35N Max (3.57Kgf)
 Connector Unmating force: 10N Min (1.02Kgf)
 Durability: 1500 Cycles.

Environment Characteristics:
 Operating temperature: -45°C to +85°C

Order Information

L-KLS1- 1829 - B
 Color: W=White B=Black
 USB 2.0 AF CONN
 RoHS

| GENERAL TOLERANCE | PROJECTION | | Description: |
|-------------------|------------|------------|------------------------------------------------|
| X. ±0.50 | UNITS | mm | CONN COM TYPE A USB Female MID MOUNT H3.9mm |
| .X ±0.25 | SCALE | 1:1 | |
| .XX ±0.10 | Draw by: | Jenny | KLS P/N: L-KLS1-1829-X |
| ANGLE TOLERANCE | Check by: | | NingBo KLS ELECTRONIC CO.,L TD. |
| X. ±5° | Date | 2018-03-01 | |
| .X ±3° | SHEET | 1 OF 1 | |
| .XX ±2° | | | |